



Product Discontinuation Notices

Fiber Sensors

Issue Date
2025/12/15
No. 2025010EN

Discontinuation Notice of Fiber Sensors E3X-ZD Series

Product Discontinuation Photoelectric Sensors	Recommended Replacement Photoelectric Sensors
 <p>Model E3X-ZD11 2M BY OMS Model E3X-ZD11-V 2M BY OMS Model E3X-ZD11-FCN 2M BY OMS Model E3X-ZD41 2M BY OMS Model E3X-ZD6 BY OMS Model E3X-ZD8 BY OMS</p>	 <p>Model E3X-ZV11 2M BY OMS Model E3X-ZV11 2M BY OMS Model E3X-ZV11 2M BY OMS Model E3X-ZV11 2M BY OMS Model E3X-ZV41 2M BY OMS Model E3X-ZV6 BY OMS Model E3X-ZV8 BY OMS</p>

[Final order entry date]
The 1st of September,2026

[Date of The Last Shipping]
The 1st of December,2026

[Difference from discontinued product]

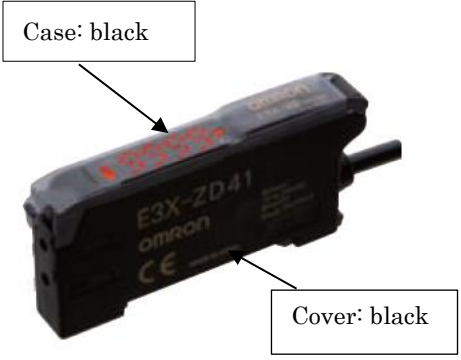

Recommended replacement Model	Body Color	Dimensions	Wire connection	Mounting Dimensions	Characteristics	Operation ratings	Operation methods
Model E3X-ZV11/E3X-ZV41	**	--	**	-	*	-	*

- ** : Compatible
- * : The change is a little/Almost compatible
- : Not compatible
- : No corresponding specification

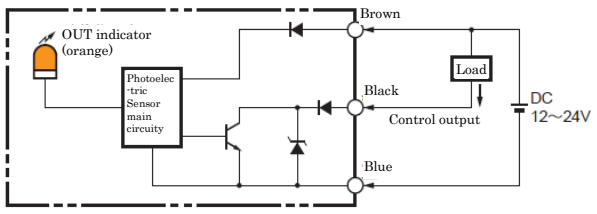
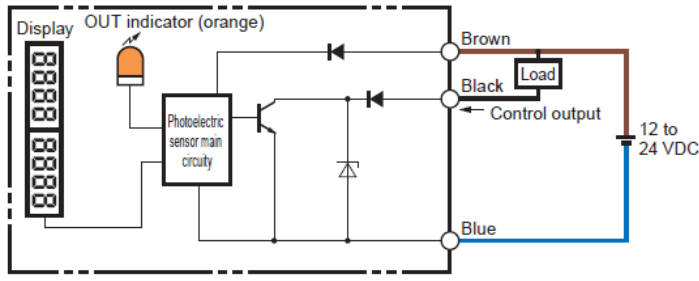
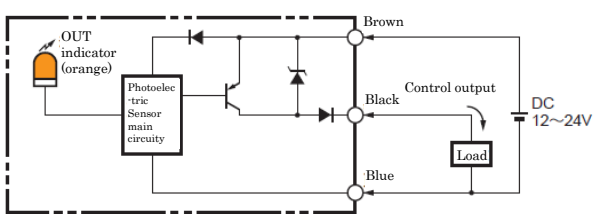
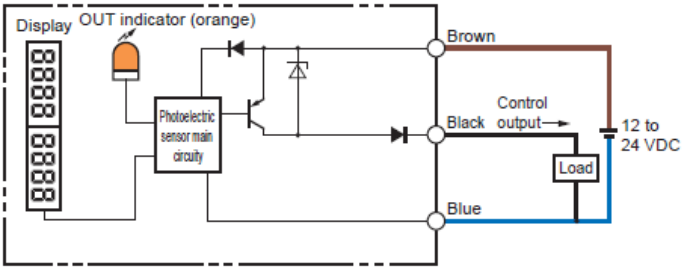
[Product Discontinuation and recommended replacement]

Product discontinuation	Recommended replacement
E3X-ZD11 2M BY OMS	E3X-ZV11 2M BY OMS
E3X-ZD11-V 2M BY OMS	E3X-ZV11 2M BY OMS
E3X-ZD11-FCN 2M BY OMS	E3X-ZV11 2M BY OMS
E3X-ZD41 2M BY OMS	E3X-ZV41 2M BY OMS
E3X-ZD6 BY OMS	E3X-ZV6 BY OMS
E3X-ZD8 BY OMS	E3X-ZV8 BY OMS.

[Body color]

Product discontinuation Model E3X-ZD11/ZD41 series	Recommendable replacement Model E3X-ZV11/ ZV41 series
<p>•Model E3X-ZD11/ZD41 series</p> <p>Case: black</p>  <p>Cover: black</p>	<p>•Model E3X-ZV11/ ZV41 series</p> <p>Case: black</p>  <p>Cover: black</p>

[Wire connection]

Product discontinuation Model E3X-ZD11/ZD41 series	Recommendable replacement Model E3X-ZV11/ZV41 series
<p>•Model E3X-ZD11 series (NPN)</p> 	<p>•Model E3X-ZV11 series (NPN)</p> 
<p>•Model E3X-ZD41 series (PNP)</p> 	<p>•Model E3X-ZV41 series (PNP)</p> 

[Characteristics]

Item	Product discontinuation Model E3X-ZD11/ZD41 series	Recommendable replacement Model E3X-ZV11/ZV41 series
Connection Method	Pre-Wired type	Pre-wired type
Supply voltage	12 to 24 VDC ± 10%	12 to 24 VDC ± 10%
Light source (wavelength)	Red 4 element LED (620 nm)	Red 4 element LED (625 nm)

Item	Product discontinuation Model E3X-ZD11/ZD41 series	Recommendable replacement Model E3X-ZV11/ZV41 series
Power consumption	960mW max.(current consumption:40mA max. at power supply voltage of 24VDC;current consumption:80mA max. at power supply voltage of 12VDC)	Normal mode: 720 mW max. (Power supply voltage 24 V: Current consumption 30 mA max. / Power supply voltage 12 V: Current consumption 60 mA max.) Eco function ON: 530 mW max. (Power supply voltage 24 V: Current consumption 22 mA max. / Power supply voltage 12 V: Current consumption 44 mA max.)
Control Output	Open collector: max. 50mA; residual voltage: max. 1.5V;L-ON/D-ON button alter	supply voltage: 26.4 VDC, open collector output type (NPN or PNP output differs depending on the type.) Load current: 100 mA max. (Residual voltage: Load current less than 10 mA: 1 V max., load current 10 to 100 mA: 2 V max.) Off-state current: 0.1 mA max.
protection circuit	Power reverse connection protection, output short circuit protection, output reverse connection protection	Power supply polarity protection, output short circuit protection and output incorrect connection protection
Threshold setting/ Sensitivity adjustment	Teaching(With/without workpiece teaching, Automatic teaching), or manual adjustment	Smart Tuning (2-point tuning, power tuning, percentage tuning (−99% to 99%), maximum sensitivity tuning, full auto tuning, position tuning) or manual adjustment
Indicators	7 segment digital display(red), 0~9999(Light power) Operation,L-ON/D-ON, Teaching indicator(orange)	7-segment displays (Threshold Level display: green, Incident Light Level display: red) Display direction: Switchable between normal and reversed. Smart Tuning Indicator (green) OUT indicator (orange)
Response Time	200μs max	(Operation / Recovery) Super High-speed Mode (SHS): 50 μs High-speed Mode (HS): 250 μs *2 Standard Mode (STND): 1 ms *3 Giga Power Mode (GIGA): 16 ms
Sensitivity adjustment	--	Smart Tuning (2-point tuning, power tuning, percentage tuning (−99% to 99%), maximum sensitivity tuning, full auto tuning, position tuning) or manual adjustment
Interference Prevention	light parallel(5sets)	Emission cycle setting switching type (up to 4 units)
Ambient illumination	Incandescent lamp:10,000l max. Sunlight:20,000lx max.	Illumination intensity Incandescent lamp: 20,000 lx max. Sunlight: 30,000 lx max.
Ambient temperature range	Operating: When 1 ~ 3 sets are connected: − 25°C ~ + 55 °C When 4 ~ 11 sets are connected: − 25 °C ~ + 50 °C When 12 ~ 16 sets are connected: − 25°C ~ + 45 °C Storage: −30°C to 70°C (with no icing or condensation)	Operating: mis −25°C to 55°C Storage: −30°C to 70°C (with no icing or condensation)

Item	Product discontinuation Model E3X-ZD11/ZD41 series	Recommendable replacement Model E3X-ZV11/ZV41 series
Ambient humidity range	Operating and Storage: 35% to 85% (with no condensation)	Operating and storage: 35 to 85% (with no condensation) within the surrounding air temperature range shown above
Insulation resistance	20 MΩ min. at 500 VDC	20 MΩ min. (at 500 VDC)
Dielectric strength	1,000 VAC, 50/60 Hz for 1 min	1,000 VAC, 50/60 Hz, 1 minute
Vibration resistance	Destruction: 10 to 55 Hz with a 1.5 mm double amplitude for 2 hours each in X, Y, and Z directions	10 to 55 Hz with a 1.5mm double amplitude for 2 hrs each in X, Y and Z directions
Shock resistance	Destruction: 500 m/s ² , for 3 times each in X, Y and Z directions	500 m/s ² , for 3 times each in X, Y and Z directions

[Dimensions]

Product discontinuation •Model E3X-ZD11/ZD41 series	Recommendable replacement Model E3X-ZV11/ZV41 series
	<p>Unit: mm</p> <p>Pre-wired type 4 dia., 3-core Standard length: 2 m Cross-sectional area of conductor: 0.12 mm² Insulator diameter: dia. 0.9 mm</p> <p>• Dimensions in parentheses () indicates the ones with related components. • The cover could come off if it is tilted by 170 degrees or more.</p> <p>• Please insert the connector until click</p>

[Operation methods]

Product discontinuation •Model E3X-ZD11/ZD41 series	Recommendable replacement Model E3X-ZV11/ZV41 series

Specifications and prices in this product news are as of the issue date and are subject to change without notice. Only main changes in specifications are described in this document. Please be sure to read the relevant catalogs, datasheets, product specifications, instructions, and manuals for precautions and necessary information when using products.